

Instruction Manual

Linear Active Pirani Gauge

Description

Item Number

<i>APGX-M-NW16 AL</i>	<i>D023-71-000</i>
<i>APGX-M-NW16 ST/ST</i>	<i>D023-75-000</i>
<i>APGX-M-NW25 ST/ST</i>	<i>D023-72-000</i>
<i>APGX-M-15MM OD ST/ST</i>	<i>D023-76-000</i>
<i>APGX-MP-NW16 ST/ST</i>	<i>D023-85-000</i>
<i>APGX-MP-15MM OD ST/ST</i>	<i>D023-86-000</i>
<i>APGX-L-NW16 AL</i>	<i>D023-73-000</i>
<i>APGX-L-NW16 ST/ST</i>	<i>D023-77-000</i>
<i>APGX-L-NW25 ST/ST</i>	<i>D023-74-000</i>
<i>APGX-L-15MM OD ST/ST</i>	<i>D023-78-000</i>



Declaration of Conformity

We, **BOC Edwards,**
Manor Royal,
Crawley,
West Sussex RH10 2LW, UK

declare under our sole responsibility that the product(s)

APGX-M-NW16 AL	D023-71-000
APGX-M-NW16 ST/ST	D023-75-000
APGX-M-NW25 ST/ST	D023-72-000
APGX-M-15mm OD ST/ST	D023-76-000
APGX-MP-NW16 ST/ST	D023-85-000
APGX-MP-NW25 ST/ST	D023-82-000
APGX-MP-15mm OD ST/ST	D023-86-000
APGX-L-NW16 AL	D023-73-000
APGX-L-NW16 ST/ST	D023-77-000
APGX-L-NW25 ST/ST	D023-74-000
APGX-L-15mm OD ST/ST	D023-78-000

to which this declaration relates is in conformity with the following standard(s)
or other normative document(s)

EN61010-1:2001	Safety Requirements for Electrical Equipment for Measurement, Control and Laboratory Use.
EN61326:1997 + A1:1998 + A2:2001 (Industrial environment, - Class B Emissions)	Electrical Equipment for Measurement, Control and Laboratory Use EMC Requirements.

following the provisions of

89 / 336 / EEC Electromagnetic Compatibility Directive.



Dr. J.D. Watson, Director of Technology, VEMD

25 MAY 2004 EASTBOURNE
Date and Place

This product has been manufactured under a quality system registered to ISO9001

 **BOC EDWARDS**

CONTENTS

Section	Title	Page
1	INTRODUCTION	1
1.1	Scope and definitions	1
1.2	Description	1
1.3	Gas dependency	2
2	TECHNICAL DATA	4
2.1	Mechanical data	4
2.2	Performance, operating and storage conditions	4
2.3	Electrical data	4
2.4	Materials exposed to vacuum	5
3	INSTALLATION	7
3.1	Unpack and inspect	7
3.2	Fit the APGX to the vacuum system	7
3.3	Electrical connections	8
3.3.1	Connect to BOC Edwards Controllers or AGD Display	8
3.3.2	Connect to your own supply and control equipment	8
4	OPERATION	10
4.1	Pressure measurement	10
4.2	Set-point adjustment	13
4.3	Error monitoring	13
5	MAINTENANCE	15
5.1	Atmosphere and vacuum adjustment	15
5.2	Clean the filter	16
5.3	Fault finding	16
5.4	Calibration service	16
6	STORAGE AND DISPOSAL	17
6.1	Storage	17
6.2	Disposal	17
7	SPARES AND ACCESSORIES	18
7.1	Introduction	18
7.2	Spares	18
7.3	Accessories	18

RETURN OF BOC EDWARDS EQUIPMENT

Illustrations

Figure	Title	Page
1	General view of the APGX (NW16 APGX shown)	3
2	Dimensions (mm) (NW16 APGX shown)	6
3	Schematic diagram of typical electrical connections	9
4	Pressure - voltage characteristics of the APGX-L	12
5	Pressure - voltage characteristics of the APGX-M and APGX-MP	12
6	Adjust the set-point pressure	14

Tables

Table	Title	Page
1	Pins on the APGX electrical connector socket	8
2	Error indications	14

1 INTRODUCTION

1.1 Scope and definitions

This manual provides installation, operation and maintenance instructions for the BOC Edwards APGX (Linear Active Pirani Gauge). You must use the APGX as specified in this manual.

Read this manual before you install and operate the APGX. Important safety information is highlighted as WARNING and CAUTION instructions; you must obey these instructions. The use of WARNINGS and CAUTIONS is defined below.

WARNING

Warnings are given where failure to observe the instructions could result in injury or death to people.

CAUTION

Cautions are given where failure to observe the instructions could result in damage to the equipment, associated equipment or process.

The units used throughout this manual conform to the SI international system of measurement.

The following symbol is on the APGX:



From August 2005, BOC Edwards will offer European customers a recycling service.

1.2 Description

The APGX requires a 15 to 36 V d.c. power supply: it has a 2 to 9 V d.c. analogue linear output which is related to pressure. The APGX is compatible with all of the BOC Edwards AGC's (Active Gauge Controllers), and with the appropriate versions of the BOC Edwards AGD's (Active Gauge Displays). Alternatively, you can use an independent power supply for the APGX and you can read the APGX output signal with a voltmeter or an analogue-to-digital converter.

An 8-way electrical connector socket on the APGX (Figure 1, item 2) is used to connect the APGX to your AGC, AGD or electrical supply and voltmeter. Electrical cables fitted with suitable connector plugs are available as accessories. A gauge identification signal is available on the electrical connector: this signal is used by BOC Edwards AGC's to identify which type of Active gauge is connected. All the APGX gauges use the same identification signal.

The APGX vacuum connection is an NW16, NW25 or plain 15 mm outside diameter tube. The gauge tube is either stainless steel or aluminium

A stainless steel mesh filter is fitted to the end of the gauge tube to protect the gauge filament from contamination and from the effects of turbulence in the vacuum system when it is pumped down or vented to atmospheric pressure.

The APGX contains two patented temperature sensing devices. The APGX uses these devices to compensate the output for the effects of changes in ambient temperature.

Three push button switches are available on the APGX (see Figure 6). The first one is for setting the atmospheric and vacuum reading. The other two switches allow you to change the operating pressure of the two set-point devices.

The set-point device is a transistor which acts like a switch. At high pressure (above the set-point), the output of the transistor is off (open or high impedance). When the pressure falls to the set-point value, the transistor output changes to on (closed or low impedance). The transistor has a fixed hysteresis of 500 mV: the output goes off when the pressure rises to 500 mV above the set-point pressure. Note that, if you use a BOC Edwards AGC controller or AGD display, the APGX set-point is not used.

1.3 Gas dependency

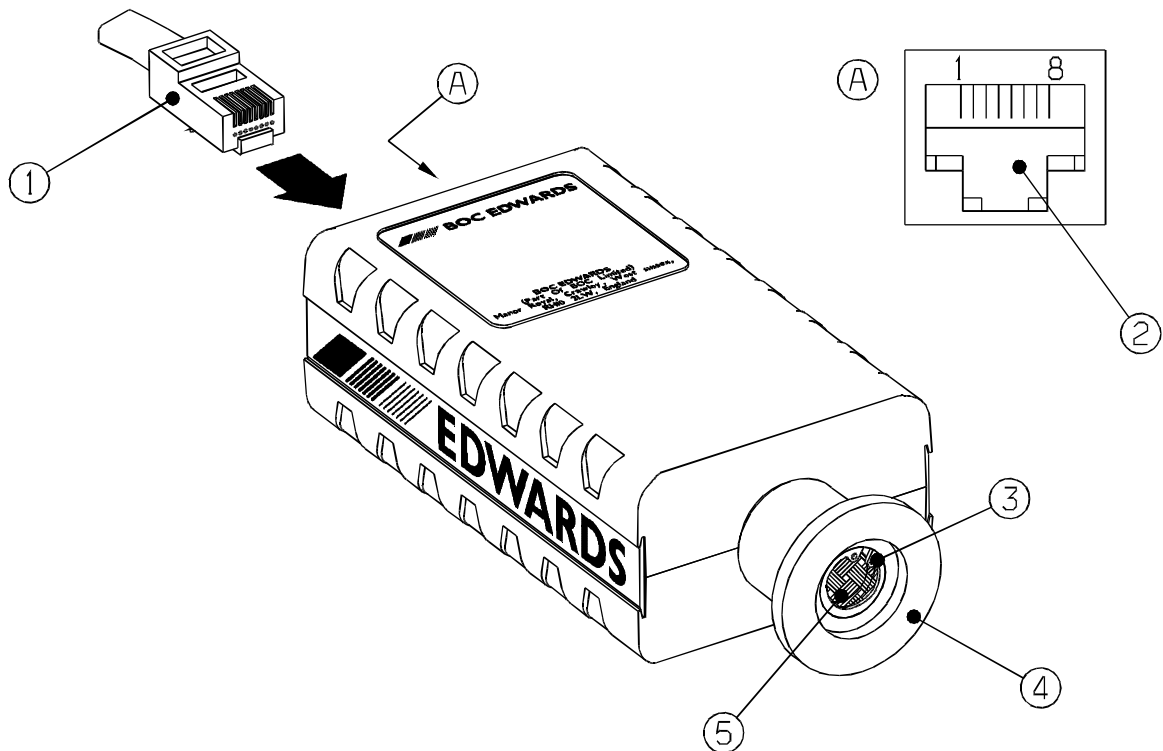
The rate of heat transfer through a gas is dependent upon both the pressure, and the RMM (relative molecular mass) of the gas. Therefore, the output signal of the APGX is also gas dependent.

The output signal voltage to pressure conversions equation applies for nitrogen and dry air, but can also be used when you measure the pressure of gases which have a similar RMM, such as oxygen and carbon monoxide.

Generally:

- with gases which have a lower RMM than nitrogen, the pressure indicated by the APGX will be higher than the actual gas pressure
- with gases which have a higher RMM than nitrogen, the pressure indicated by the APGX will be lower than the actual gas pressure

Graphs which show the APGX pressure and voltage characteristics for argon, neon, krypton, helium and carbon dioxide are available on request; contact your supplier or BOC Edwards.



- | | |
|-----------------------------|------------------|
| 1. Cable connector plug | 4. Vacuum flange |
| 2. APGX connector socket | 5. Filter |
| 3. Filter-retaining circlip | |

Figure 1 - General view of the APGX (NW16 APGX shown)

2 TECHNICAL DATA

2.1 Mechanical data

Dimensions	See Figure 2
Mass	
aluminium tube	120 g
stainless steel tube	200 g
Volume of gauge tube	
NW16/NW25	6 cm ³
15 mm OD	10 cm ³
Enclosure rating	IP40 (EN 60529)

2.2 Performance, operating and storage conditions

Note: The APGX gauges will indicate up to 1000 mbar (760 torr) at reduced accuracy.

Ambient temperature	
operation	5 to 55 °C
storage	-30 to 70 °C
Compensated pressure	
temperature range	5 to 55 °C
Ambient humidity (operation)	10 to 90% (non-condensing)
Maximum operating altitude	2000 m
Maximum internal pressure	10 bar absolute (9 bar gauge)
Pressure range	
APGX-M/APGX-MP	100 to 1×10^{-3} mbar
APGX-L	10 to 1×10^{-4} mbar
Filament operating	
temperature (approximate)	100 °C
Pollution category	IEC1010 Category 2

2.3 Electrical data

Note: The electrical power consumption of the APGX is reduced when the system is at vacuum.

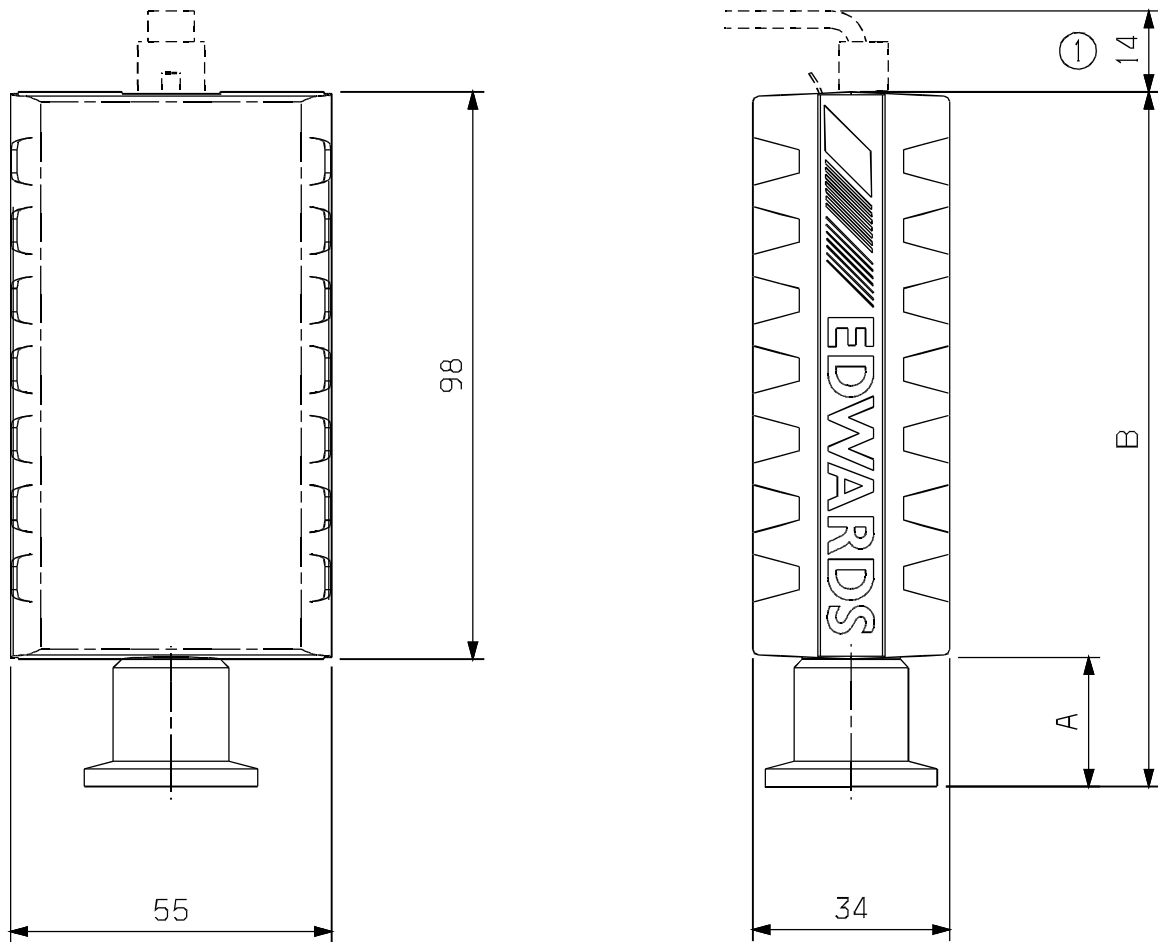
The relationship between output signal voltage and pressure is described in Section 4.1.

Electrical supply	
Voltage	+14.5 to +36 V d.c.
Max voltage ripple	1 V peak to peak
Max source resistance	100 Ω
Maximum power consumption	1.5 W (APGX-M and -MP) 2.0 W (APGX-L)
Electrical connector	FCC68/RJ45 type, 8-way
Pressure output signal	
Range	$2 \leq \text{output} \leq 9$ V d.c.
Error range	output < 2 V d.c. or output > 9 V d.c.
impedance	0.1 Ω
Min load	10 k Ω
Max current source	1 mA
Set-point	
Adjustment range	
APGX-L	1.8 to 9.2 V
APGX-M, -MP	2.8 to 9.2 V
Fixed hysteresis	500 mV
Resolution	± 10 mV
External load rating	40 V d.c., 100 mA max
Back EMF suppression diode*	
Min. surge rating	1A
Min. reverse voltage rating	100 V
Gauge identification resistance	36 k $\Omega \pm 2\%$ (APGX-M and -MP) 43 k $\Omega \pm 2\%$ (APGX-L)

2.4 Materials exposed to vacuum

Filament	
APGX-M/APGX-L	Gold plated tungsten
APGX-MP	Platinum / Rhodium (90/10)
Filter	Stainless steel (AISI 316L)
Gauge tube	Aluminium (HE30TF) or stainless steel (AISI 316L)
Other	Nickel, fluoroelastomer, PTFE

* Required when you use an external d.c. relay connected to the set-point output.



1. Clearance required for electrical cable

	A	B
NW16	22	120
NW25	26	124
150D	52	150

Figure 2 - Dimensions (mm) (NW16 APGX shown)

3 INSTALLATION

3.1 Unpack and inspect

Remove all packing materials and protective covers and check the APGX.

If the APGX is damaged, notify your supplier and the carrier in writing within three days; state the Item Number of the gauge together with your order number and your supplier's invoice number. Retain all packing materials for inspection. Do not use the APGX if it is damaged.

If the APGX is not to be used immediately, replace the protective covers. Store the APGX in suitable conditions as described in Section 6.

3.2 Fit the APGX to the vacuum system

The APGX can be mounted in any orientation. To avoid the build-up of debris or condensable material in the body tube of the APGX (which will probably cause pressure measurement errors), we recommend that you install the gauge vertically as shown in Figure 2.

To connect the APGX to your vacuum system:

- Use an 'O' ring / centring ring or Co-seal and clamp to connect an NW16 or NW25 flange to a similar flange on the vacuum system.
- Use a stepped 'O' ring carrier or Co-seal to connect an APGX with an NW16 flange to an NW10 flange.
- Use Cajon Ultratorr™ type compression couplings to connect an APGX with a 15 mm OD tube connection to your system.

The presence of process contaminants can adversely effect the performance of the gauge. In such applications, the use of sintered filters can often substantially increase the life of the gauge. For a suitable sintered filter, please refer to Section 7.3.

3.3 Electrical connections

WARNING

If the APGX malfunctions, the APGX pressure output may be incorrect. If such a failure could cause injury to people or damage equipment, you must install a suitable control system to indicate the failure and, if necessary, to close down your process system.

When using a cable longer than 30 m, full compliance with the EN61326 requires an in-line surge suppressor (please refer to Section 7.3).

3.3.1 Connect to BOC Edwards Controllers or AGD Display

Connect the APGX to the controller or display with a cable which is terminated in suitable connectors. Suitable cables are available from BOC Edwards (refer to Section 7).

3.3.2 Connect to your own supply and control equipment

Note: Do not connect the electrical supply common (pin 2) to the signal common (pin 5). If you do, the APGX output signal will be inaccurate.

A schematic diagram of the recommended electrical connections to the APGX is shown in Figure 3.

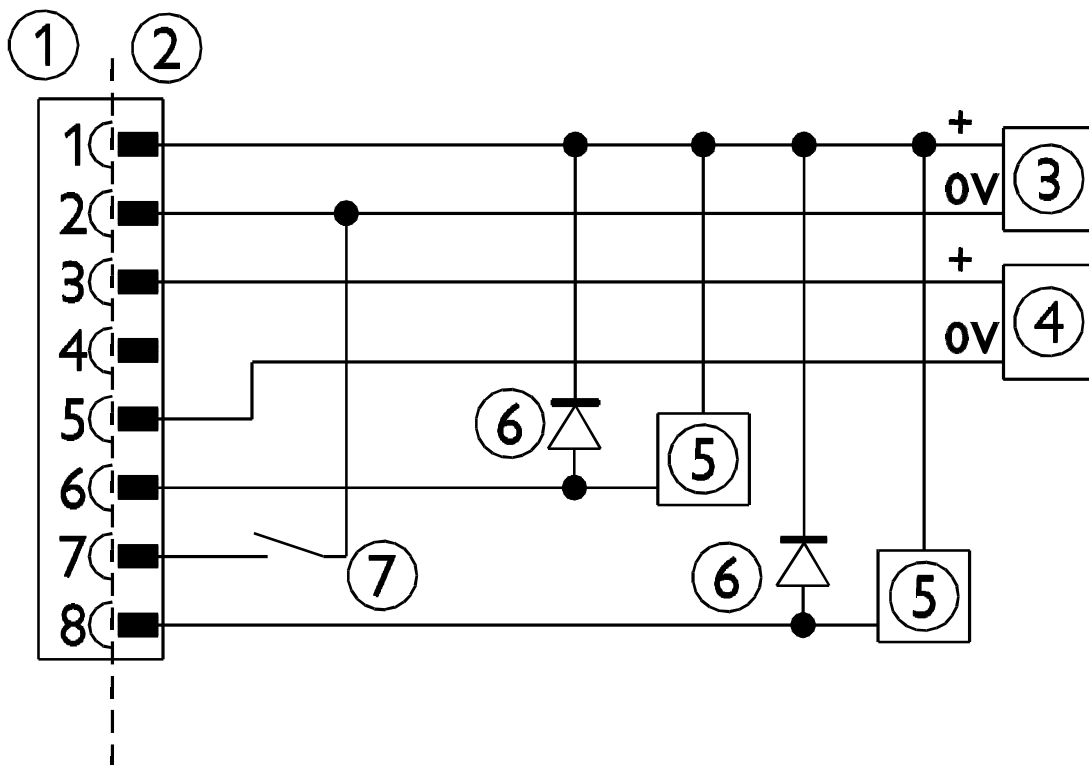
The pins on the APGX electrical connection socket are used as shown in Table 1. The specification of the electrical supply, d.c. relay and back EMF suppression diode are given in Section 2.

Pin Number	Use
1	Electrical supply positive voltage
2	Electrical supply common
3	Pressure measurement output signal
4	Gauge identification signal
5	Signal common
6	Set-point (1) output signal
7	Remote calibration input
8	Set-point (2) output signal

Table 1 - Pins on the APGX electrical connector socket

The connections to pins 6, 7 and 8 are optional. Make the connection to pin 6 and 8 if you want to connect the set-point signal to a d.c. relay: you must connect a suppression diode between pins 1 and 6 and between 1 and 8 to protect the APGX from transient voltages generated when the d.c. relay is switched off.

Connecting pins 2 and 7 will enable setting of the atmospheric output when the gauge is at atmosphere and the vacuum output when the gauge is at vacuum. If you want to measure the gauge identification signal (to identify the type of APGX), measure the resistance between pins 4 and 5.



- | | |
|-------------------------------------|--|
| 1. APGX electrical connector socket | 5. D.C. Relay (optional) |
| 2. Cable electrical connector plug | 6. Back EMF suppression diode (optional) |
| 3. Electrical supply | 7. Grounding switch (optional) |
| 4. Voltmeter | |

Figure 3 - Schematic diagram of typical electrical connections

4 OPERATION

WARNING

Do not use the APGX to measure the pressure of explosive or flammable gases or mixtures. The gauge contains a heated filament which normally operates at 80 °C above ambient temperature. The temperature of the filament can be higher under fault conditions.

WARNING

When the pressure of gases of high molecular weight are measured, the pressure indicated can be below the true pressure. Ensure that the APGX is not over-pressurised when you use heavy gases.

CAUTION

Never disconnect the APGX to vent the vacuum system. The resulting turbulence may damage the gauge filament.

CAUTION

Contamination can affect the performance of the gauge. Users are expected to take necessary actions to reduce gauge exposure to sources of contamination.

4.1 Pressure measurement

For most accurate pressure measurement, allow the APGX to warm-up for about 10 minutes and then use the procedure in Section 5.1 to adjust the APGX.

If you connected the APGX to a BOC Edwards AGC controller or AGD display, the pressure measured by the gauge is shown on the display.

If you connected the signal output of the APGX to a voltmeter, convert the measured voltage to the corresponding pressure value using the following equation:

$$\begin{aligned} P &= 10^{V-6} \text{ mbar} \\ &= 10^{V-4} \text{ Pascal} \\ &= 10^{V-6.125} \text{ torr} \end{aligned}$$

Where V is the measured voltage in volts. For example, if the measured voltage $V = 4$ volts, then pressure $P = 10^{-2}$ mbar. Refer to Figures 4 and 5.

The output of the APGX-M and APGX-MP will drop from 3 V to 2 V when the pressure goes below 10^{-3} mbar. See Figure 5.

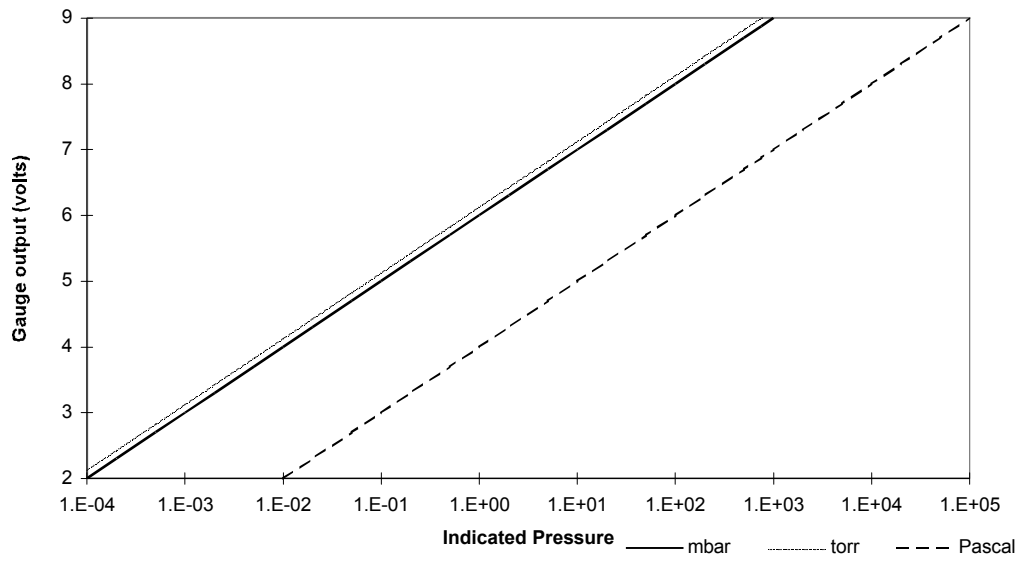


Figure 4 - Pressure - voltage characteristics of the APGX-L

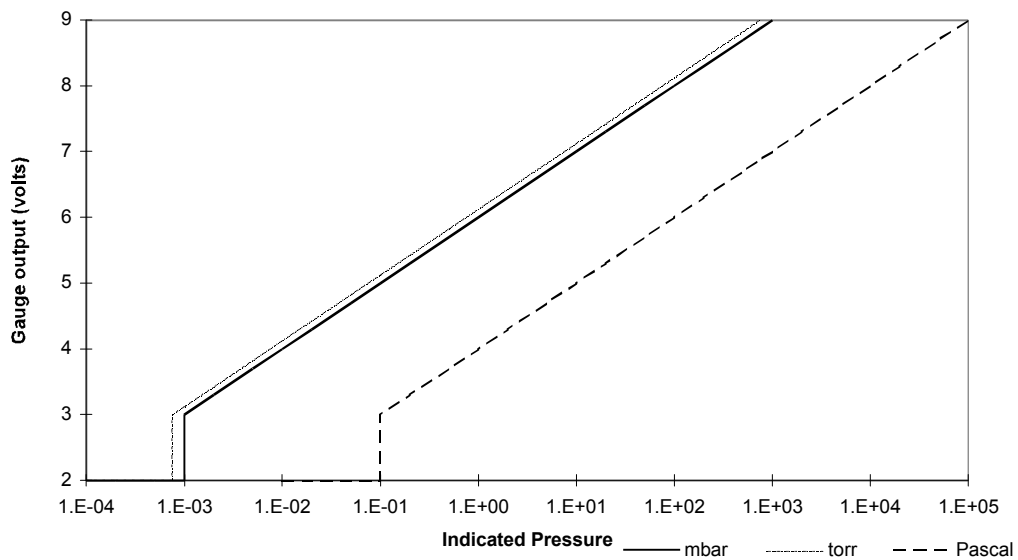


Figure 5 - Pressure - voltage characteristics of the APGX-M and APGX-MP

4.2 Set-point adjustment

To read the voltage at which the set-point output signals are activated, press the required set trip switch (see Figure 6) with an appropriate tool. The output of the gauge will indicate the set trip level for 3 seconds after which the output will read the normal voltage output.

To adjust the voltage at which the set-point output signal is activated, press the required set trip switch and hold it down for more than 3 seconds. The set-point voltage will start scrolling upwards. Remove pressure from the switch as soon as you reach the required trip voltage. To make a finer adjustment, remove pressure from the set trip switch and immediately depress the switch as many times as required. Each depression will increase the set trip voltage by approximately 10 mV. Refer to Section 4.1 to determine the operating voltage which corresponds to a given pressure.

The APGX has an error monitoring facility, which ensures that the set-point output signal is off:

- For 1 second immediately after the APGX is switched ON.
- When the pressure output signal is out of range.
- When an error voltage is detected. See Section 4.3.

If required, the set-point operating voltage can be adjusted to 1.8 V for the APGX-L and 2.8 V for the APGX-M and APGX-MP. This ensures that the set-point output is permanently off.

If required, the set-point signal can be used to indicate when the gauge is operating correctly. Adjust the set-point operating voltage to > 9.2 V. The set-point output will then be ON if the gauge is operating normally, and OFF if an error condition is detected.

4.3 Error monitoring

The gauge is able to perform some internal error monitoring functions, and respond in a defined manner, as summarised below.

The error condition is reset (cleared) when the gauge is disabled or power is removed.

Error Indications	Output Voltage	BOCE Controllers Output
Broken filament	9.5 V	Error E
Calibration error	9.6 V	Error F

Table 2 - Error indications

The set-point will be disabled as soon as one of the above errors is detected.

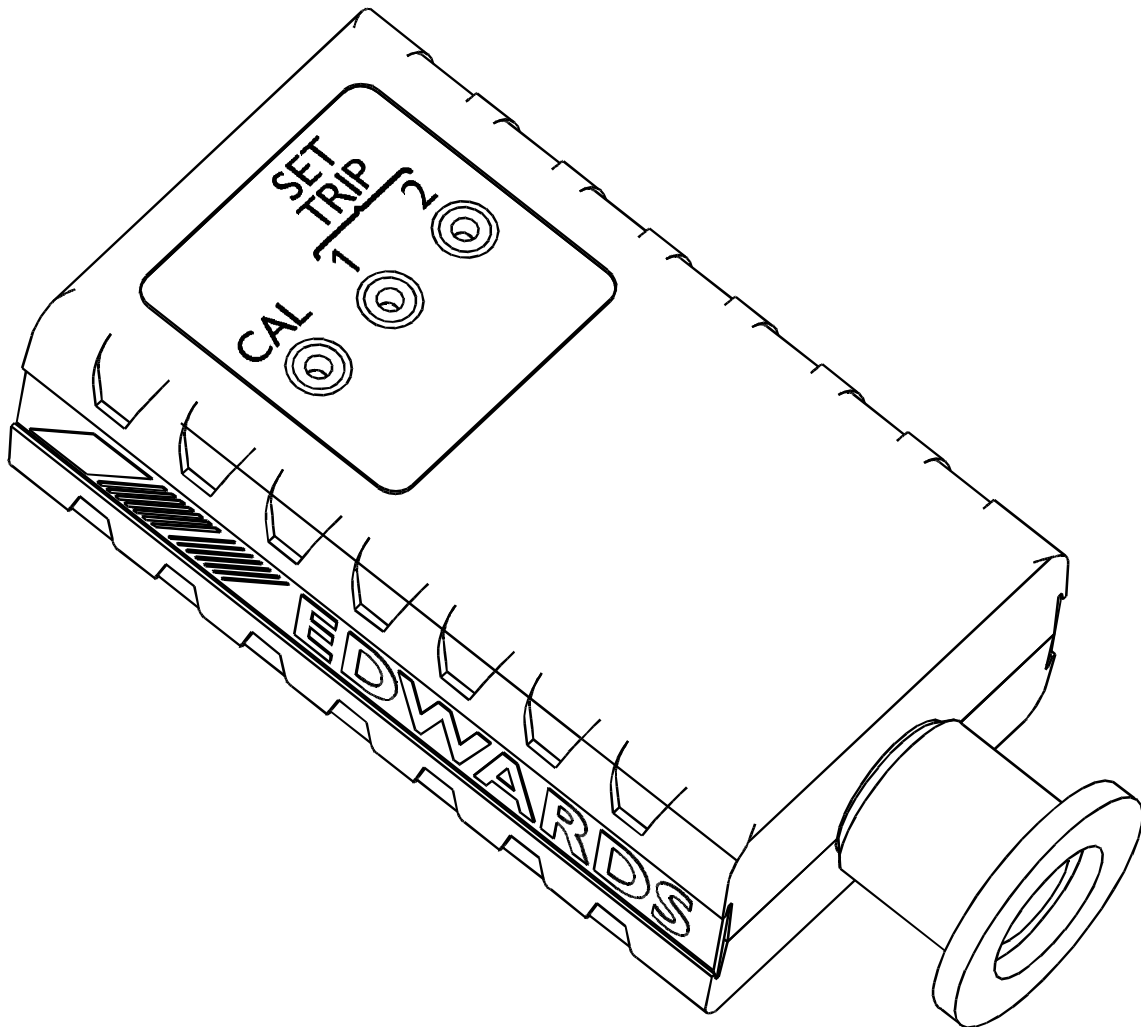


Figure 6 - Adjust the set-point pressure

5 MAINTENANCE

CAUTION

Do not clean the interior of the gauge tube as you can damage the filament.

You can only replace the filter and its retaining circlip (refer to Section 5.2).

5.1 Atmosphere and vacuum adjustment

Use the CAL push button switch to adjust the APGX.

1. Switch on the power supply to the APGX and allow it to operate for 10 minutes.
2. With the vacuum system at atmospheric pressure, press the CAL switch for more than 1 second. The output will read approximately 9 V.
3. Reduce the system pressure to 1×10^{-4} mbar (or below) for the APGX-M or APGX-MP gauge, or to 1×10^{-5} mbar (or below) for the APGX-L gauge.
4. Press the CAL switch for more than 1 second. The output will read approximately 2 V.
5. Vent the system to atmospheric pressure and look at the output signal:
 - If the output signal is $9 \text{ V} \pm 100 \text{ mV}$ (atm), the adjustment procedure is complete.
 - If the output signal is outside this range, repeat this procedure from step 2.
 - If you have repeated the procedure and the output signal is outside the required range, refer to Section 5.3.

5.2 Clean the filter

WARNING

You must remove the filter to clean it. Do not clean the filter in position in the body tube.

Refer to Figure 1 and use the following procedure to clean the filter.

1. Switch off the electrical supply, ensure that the vacuum system is at atmospheric pressure and remove the APGX from the vacuum system.
2. Use circlip pliers to remove the filter-retaining circlip (3); ensure that you do not damage the inside of the body tube. Remove the filter (5).
3. Inspect the filter. If the filter is damaged or cannot be cleaned, replace the filter; a filter replacement kit is available as a spare (refer to Section 7).
4. Use a suitable cleaning solution to degrease the filter, then wash the filter repeatedly in clean water.
5. Wash the filter with methanol to remove all traces of water and then thoroughly dry the filter.
6. Refit the filter into the body tube and refit the circlip.

5.3 Fault finding

If you cannot adjust the pressure output signal from the APGX so that the signal is in the range $2\text{ V} \leq \text{output} \leq 9\text{ V}$ (that is, the signal is in the fault range), check the electrical connections and ensure that the electrical supply voltage is in the correct range (see Section 2).

If the connections and the electrical supply are correct, then the APGX is faulty and should be returned to BOC Edwards for exchange or replacement.

5.4 Calibration service

A calibration service is available for all BOC Edwards gauges. Calibration is by comparison with reference gauges, traceable to National Standards. Contact BOC Edwards for details.

6 STORAGE AND DISPOSAL

6.1 Storage

Return the APGX to its protective packaging and store the gauge in clean, dry conditions until required for use. Do not exceed the storage temperature conditions specified in Section 2.

When required for use, prepare and install the APGX as described in Section 3.

6.2 Disposal

Dispose of the APGX and any components safely in accordance with all local and national safety and environmental requirements.

Alternatively, you may be able to recycle the APGX and/or cables; contact BOC Edwards or your supplier for advice (also see below).

The APGX and associated cables are within the scope of the European Directive on Waste Electrical and Electronic Equipment, 2002/96/EC. From August 2005, BOC Edwards will offer European customers a recycling service for the APGX/cables at the end of the product's life. Contact BOC Edwards for advice on how to return the APGX/cables for recycling.

Particular care must be taken if the APGX has been contaminated with dangerous process substances or if the gauge has been overheated or has been in a fire. Fluoroelastomers are used in the APGX; these are safe in normal use, but can decompose into dangerous breakdown products if heated to 260 °C and above.

7 SPARES AND ACCESSORIES

7.1 Introduction

BOC Edwards products, spares and accessories are available from BOC Edwards companies in Belgium, Brazil, Canada, France, Germany, Hong Kong, Italy, Japan, Korea, Switzerland, United Kingdom, U.S.A., and a world wide network of distributors. The majority of these centres employ Service Engineers who have undergone comprehensive BOC Edwards training courses.

Order spare parts and accessories from your nearest BOC Edwards company or distributor. When you order, please state for each part required:

- Model and Item Number of your equipment
- Serial number (if any)
- Item Number and description of part

7.2 Spares

The Filter Replacement Kit contains 5 filter-retaining circlips and 5 filters.

Spare	Item Number
Filter Replacement Kit	D021-71-810

7.3 Accessories

Accessory	Item Number
NW16/10 phosphor/bronze sintered filter	D021-10-760

The cables suitable for use with the APGX are as follows. These cables are supplied with 8-way male electrical connectors on both ends.

Cable length	Item Number	
0.5 m	18 inches	D400-01-005
1 m	3 feet	D400-01-010
3 m	10 feet	D400-01-030
5 m	15 feet	D400-01-050
10 m	30 feet	D400-01-100
15 m	50 feet	D400-01-150
25 m	80 feet	D400-01-250
50 m	150 feet	D400-01-500
100 m	325 feet	D400-01-999
Surge suppressor		D400-06-000

Return of BOC Edwards Equipment - Procedure

INTRODUCTION

Before returning your equipment, you must warn BOC Edwards if substances you used (and produced) in the equipment can be hazardous. This information is fundamental to the safety of our Service Centre employees and will determine the procedures employed to service your equipment.

Complete the Declaration (HS2) and send it to BOC Edwards before you dispatch the equipment. It is important to note that this declaration is for BOC Edwards internal use only, and has no relationship to local, national or international transportation safety or environmental requirements. As the person offering the equipment for shipment, it is your responsibility to ensure compliance with applicable laws.

GUIDELINES

- Equipment is '**uncontaminated**' if it has not been used, or if it has only been used with substances that are not hazardous. Your equipment is '**contaminated**' if it has been used with any substances classified as hazardous under EU Directive 67/548/EEC (as amended) or OSHA Occupational Safety (29 CFR 1910).
- If your equipment has been used with radioactive substances, biological or infectious agents, mercury, polychlorinated biphenyls (PCB's), dioxins or sodium azide, you must decontaminate it before you return it to BOC Edwards. You must send independent proof of decontamination (for example a certificate of analysis) to BOC Edwards with the Declaration (HS2). Phone BOC Edwards for advice.
- If your equipment is contaminated, you must either:
 - Remove all traces of contamination (to the satisfaction of laws governing the transportation of dangerous/hazardous substances).
 - Or, properly classify the hazard, mark, manifest and ship the equipment in accordance with applicable laws governing the shipment of hazardous materials.

Note: Some contaminated equipment may not be suitable for airfreight.

PROCEDURE

1. Contact BOC Edwards and obtain a Return Authorisation Number for your equipment.
2. Complete the Return of BOC Edwards Equipment - Declaration (HS2).
3. If the equipment is contaminated, you must contact your transporter to ensure that you properly classify the hazard, mark, manifest and ship the equipment, in accordance with applicable laws governing the shipment of contaminated/hazardous materials. As the person offering the equipment for shipment, it is your responsibility to ensure compliance with applicable law. **Note: Equipment contaminated with some hazardous materials, such as semiconductor by-products, may not be suitable for airfreight - contact your transporter for advice.**
4. Remove all traces of hazardous gases: pass an inert gas through the equipment and any accessories that will be returned to BOC Edwards. Where possible, drain all fluids and lubricants from the equipment and its accessories.
5. Seal up all of the equipment's inlets and outlets (including those where accessories were attached) with blanking flanges or, for uncontaminated product, with heavy gauge tape.
6. Seal equipment in a thick polythene/polyethylene bag or sheet.
7. If the equipment is large, strap the equipment and its accessories to a wooden pallet. If the equipment is too small to be strapped to a pallet, pack it in a suitable strong box.
8. Fax or post a copy of the Declaration (HS2) to BOC Edwards. The Declaration must arrive before the equipment.
9. Give a copy of the Declaration (HS2) to the transporter. You must tell your transporter if the equipment is contaminated.
10. Seal the original Declaration in a suitable envelope: attach the envelope securely to the outside of the equipment package, in a clear weatherproof bag.

WRITE YOUR RETURN AUTHORISATION NUMBER CLEARLY ON THE OUTSIDE OF THE ENVELOPE OR ON THE OUTSIDE OF THE EQUIPMENT PACKAGE.

Return of BOC Edwards Equipment - Declaration

Return Authorisation Number:

You must:

- Know about all of the substances which have been used and produced in the equipment before you complete this Declaration
- Read the Return of BOC Edwards Equipment - Procedure (HS1) before you complete this Declaration
- Contact BOC Edwards to obtain a Return Authorisation Number and to obtain advice if you have any questions
- Send this form to BOC Edwards before you return your equipment

SECTION 1: EQUIPMENT

Equipment/System Name _____

Part Number _____

Serial Number _____

Has the equipment been used, tested or operated ?

 YES Go to Section 2 NO Go to Section 4

IF APPLICABLE:

Tool Reference Number _____

Process _____

Failure Date _____

Serial Number of Replacement Equipment _____

SECTION 2: SUBSTANCES IN CONTACT WITH THE EQUIPMENT
Are any substances used or produced in the equipment:

- Radioactive, biological or infectious agents, mercury, poly chlorinated biphenyls (PCBs), dioxins or sodium azide? (if YES, see Note 1) YES NO
- Hazardous to human health and safety? YES NO

Note 1 : BOC Edwards will not accept delivery of any equipment that is contaminated with radioactive substances, biological/infectious agents, mercury, PCB's, dioxins or sodium azide, unless you:

- Decontaminate the equipment
- Provide proof of decontamination

YOU MUST CONTACT BOC EDWARDS FOR ADVICE BEFORE YOU RETURN SUCH EQUIPMENT

SECTION 3: LIST OF SUBSTANCES IN CONTACT WITH THE EQUIPMENT

Substance name	Chemical Symbol	Precautions required (for example, use protective gloves, etc.)	Action required after a spill, leak or exposure

SECTION 4: RETURN INFORMATION

Reason for return and symptoms of malfunction _____

- If you have a warranty claim:
- who did you buy the equipment from ? _____
 - give the supplier's invoice number _____

SECTION 5: DECLARATION

Print your name: _____ Print your job title: _____

Print your organisation: _____

Print your address: _____

Telephone number: _____ Date of equipment delivery: _____

I have made reasonable enquiry and I have supplied accurate information in this Declaration. I have not withheld any information, and I have followed the Return of BOC Edwards Equipment - Procedure (HS1).

Note: Please print out this form, sign it and return the signed form as hard copy.

Signed: _____ Date _____

This page intentionally blank.

EUROPE/UNITED KINGDOM**BOC EDWARDS**

Manor Royal
Crawley
West Sussex, RH10 9LW
Tel +(44) 1293 528844
Fax +(44) 1293 533453

AMERICAS**USA HEADQUARTERS****BOC EDWARDS**

One Edwards Park
301 Ballardvale Street
Wilmington, MA 01887
Tel +(1) 978 658 5410
Toll Free (USA only) 1800 848 9800
Fax +(1) 978 658 5410

3901 Burton Drive
Santa Clara, CA 95054
Tel +(1) 408 496 1117
Fax +(1) 408 496 1118

1810 West Drake Drive
Suite 101
Tempe, AZ 85283
Tel +(1) 480 777 7007
Fax +(1) 480 777 2244

4117 Commercial Center Drive
Austin, TX 78744
Tel +(1) 512 416 0102
Fax +(1) 512 328 9846

3501 Island Avenue
Philadelphia, PA 19153
Tel +(1) 215 365 8653
Fax +(1) 978 756 6846

U.S. National Sales Center
Mon 8:30 A. M. - 8:00 P.M. EST
Tues 8:30 A. M. - 8:00 P.M. EST
Wed 8:30 A. M. - 8:00 P.M. EST
Thurs 8:30 A. M. - 8:00 P.M. EST
Fri 8:30 A. M. - 6:30 P.M. EST

BELGIUM**BOC EDWARDS**

Bergensesteenweg 709
B1600 Sint-Pieters-Leeuw
Brussels
Tel +(32) 2 363 0030
Fax +(32) 2 363 0064

BRAZIL**BOC DO BRAZIL LTDA**

Rua Bernado Wrona 222
02710 São Paulo-SP
Brazil
Tel +(55) 11 3952 5000
Fax +(55) 11 3965 2766

CANADA**BOC EDWARDS**

5975 Falbourne Street
Mississauga, Ontario L5R3W6
Canada
Tel +(1) 800 387 4076
Fax +(1) 905 501 1225

12055 Cote de Liesse
Dorval, Quebec H9P1B4
Canada
Tel +(1) 514 631 3501
Fax +(1) 514 631 3502

CHINA**BOC TRADING (SHANGHAI)
CO. LTD**

23 Fu Te Road(N),
Wai Gao Qiao Free Trade Zone
Pudong, Shanghai, 200131,
PRC, China
Tel +(86 21) 58669618
Fax +(86 21) 58669993

GERMANY**BOC EDWARDS**

Ammerthalstraße 36
85551 Kirchheim
Munich
Tel +(49) 89 99 19 18 0
Fax +(49) 89 99 19 18 99

FRANCE**BOC EDWARDS**

125 Avenue Louis Roche
92238 Gennevilliers, Cedex
Paris
Tel +(33) 1 47 98 24 01
Fax +(33) 1 47 98 44 54

HONG KONG S.A.R.**BOC EDWARDS (ASIA)**

12 Chun Yat Street
Tseung Kwan O Industrial
Estate
Tseung Kwan O, Kowloon
Hong Kong SAR
Tel +(852) 2372 2640
Fax +(852) 2796 9095

INDIA**BOC EDWARDS****DIVIN. OF BOC INDIA LIMITED**

203 Surya Kiran Building
19 Kasturba Gandhi Marg
New Delhi - 110 001
India
Tel +(91) 11 237 33087
Fax +(91) 11 551 0245

ISRAEL**EDWARDS ISRAEL VACUUM LTD**

5 Habarzel Blvd
Gat 2000 Industrial Zone
Qiryat Gat 82000
Tel +(972) 8 681 0633
Fax +(972) 8 681 0640

ITALY**BOC EDWARDS**

Via Carpaccio 35
20090 Trezzano sul Naviglio
Milan
Tel +(39) 2 48 4471
Fax +(39) 2 48 401638

JAPAN**HEADQUARTERS****BOC EDWARDS**

Shwa Shiba Park Building A-3F
2-4-1 Shibakoen Minato-ku
Tokyo, 105-0011
Tel +(81)(0) 3 5470 6530
Fax +(81)(0) 3 5470 6521

KOREA**HEADQUARTERS****SONGWON EDWARDS LTD**

5th FL. Daewoo Engineering
Bldg.
Soonae-dong
Bundang-gu, Sungnam City
Kyungki-do, Korea
Tel +(82) 31 716 7070
Fax +(82) 31738 1001

SONGWON EDWARDS LTD

625-7 Upsong-dong
Chunan City
Chungchong Nam-do
Korea
Tel +(82) 41 621 7070
Fax +(82) 41 621 7700

SINGAPORE**BOC EDWARDS (ASIA)**

42 Loyang Drive
Loyang Industrial Estate
Singapore 508962
Tel +(65) 546 8408
Fax +(65) 546 8407

TAIWAN, R.O.C.**EDWARDS TAIWAN LIMITED**

No. 434 Chung-hua Road
Toufen Town, Miaoli County
Taiwan R.O.C.
Tel +(886) 37 611422
Fax +(886) 37 611401

PLEASE CONTACT ANY OF THE ABOVE FOR DETAILS OF OTHER SALES AND SERVICE CENTERS IN YOUR AREA.

BOC Edwards is part of BOC Limited. BOC Edwards and the stripe symbol are trade marks of The BOC Group
© BOC Edwards 2004
Publication No. C100-04-895

www.bocedwards.com
info@bocedwards.com

